



# Dacia Jogger

Vehicle instruction manual: in the glove compartment

Fuel: Gasoline E10 / EURO95

Air pressure tires: see information plaque in the doorframe at the driver's side.

## Reverse gear:



pull up the ring under the gear shift head and move the gear shift to the left, and then forward.

## Air conditioning/heating:



- A. Set fan speed
- B. Set air temperature
- C. Adjust air circulation flow inside
- D. Turn air conditioning on/off
- E. Activate interior isolation mode/air circulation.

## Set wing mirrors

The controls can be found on the arm rest of the driver side door.

- A. Select the left or right wing mirror
- B. Click this button back to the middle when the positioning is to your preference. This button can also be used to fold in the wing mirrors.



## Parking assistance

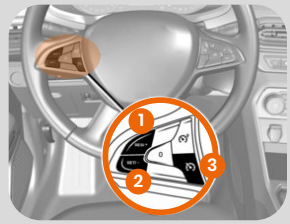
This car is equipped with rear-facing parking aides. When you drive backwards, a beep will increase in frequency as you approach an object behind you. Make sure to stop in time!



### Cruise control

Cruise control is a function that allows you to maintain a preset speed while driving. The controls are left of the steering wheel:

1. Lower preset speed
2. Increase preset speed
3. Turn cruise control on/off



### Speed limiter

The speed limiter is a function that allows you not to exceed a preset speed, for example the current speed limit.

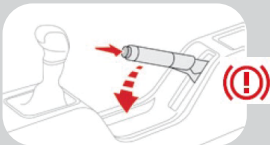
Left of the steering wheel:

1. Select the speed limiter using the upmost button
2. Set the speed using the + and - buttons to the left



### Handbrake

To release the hand brake, pull up the handbrake slightly and push the button at the end. After this you can lower the hand brake. If the handbrake is still deployed while driving, a red symbol is shown on the control panel. In this case, lower the handbrake immediately!



### SOS button

Please do not use the SOS and/or the Assistance buttons on the dashboard. In case of emergencies this function automatically contacts the emergency services. When it is not an emergency, it is better to contact the cambio callcenter in case of an accident or breakdown.



### Power connection for accessories

There is both a power connection in the center console (with different types of connections) and in the boot.

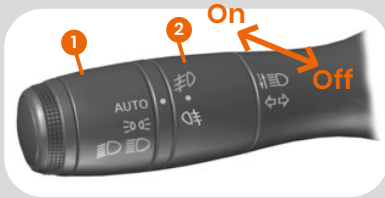


### Open boot

To open the boot, use the remote or car key. You can also open it by pressing the button on the bottom (see graphic)



## Lights/fog lights



**Lights:** turn the selector to choose the type of lighting you wish to use:

- **Automatic**
- **Parking light**
- **Low beam**

Push the lever to switch between low beams and headlights. To return to low beam, pull the lever towards you.

### Fog lights:



**Forward:** turn the middle ring one setting downwards to activate the forward fog lights. A light will appear on the control panel.



**Rear:** turn the middle ring upward to activate the rear-facing fog lights. A second light will appear on the control panel. You can turn this off by moving that same ring upwards/downwards.

## Windshield wipers

Use the lever to determine the speed of the wipers.

1. **Wipe once**  
The wipers are activated once
2. **0 – stop wiper**
3. **AUTO:** becomes active as soon as there is rain and the speed will adjust to the circumstances.
4. **1-constant slow wipe**
5. **2-constant fast wipe**

To use the sprayers at the front, pull the lever towards you. It's important to know when the car comes to a stop, the speed of the wipers lowers. When the car moves again, the wipers will return to the original speed.

Rear window wipers:

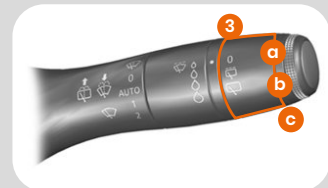
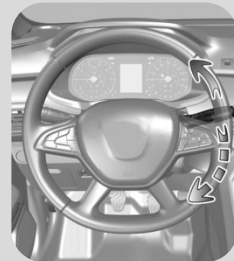
Turn the ring (3) upwards to activate the wipers. You can choose between the following options:

- a. **0 – no movement.**
- b. **Wipe with intervals:**

Between two wipes the wipers will pause for a few seconds. The frequency will vary with the speed of the car;

- c. **Constant slow wipe**

To use the sprayers in the rear, do a long press of the lever before releasing.



### Spare tire

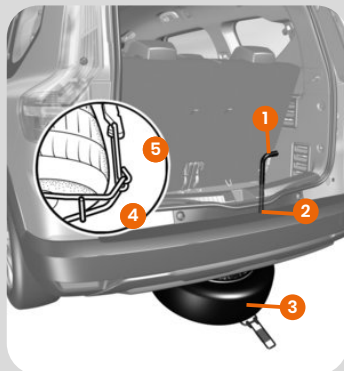
The spare tire is chained to a rack underneath the car (4). You will also find tools and a jack there.

#### To remove the spare tire:

1. Open the boot
2. Remove the screw (2) using the wheel wrench
3. Unhook the rack (4) using the handle (5)
4. Remove the spare tire (3)

#### To put away the tire (3) in the rack:

1. Put the damaged tire in the rack (4)
2. To put the rack in its original position, perform the steps in reverse order, putting the screw back in place using the wheel wrench.



### Fuel cap

(Always use petrol EURO95/E10)

The fuel cap can be found behind the rear door on the passenger side. Depending on the vehicle you open the fuel cap by pulling the exterior cap or by pushing the cap itself.



### GPS (touchscreen)



Activate the GPS by pushing the middle button on the left side of the touchscreen. Put in the address using the **MENU** button.